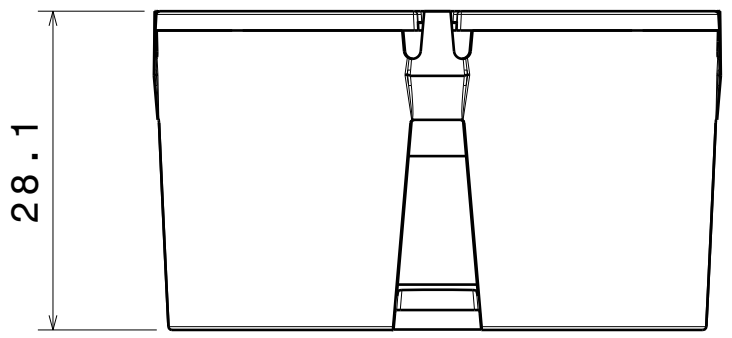
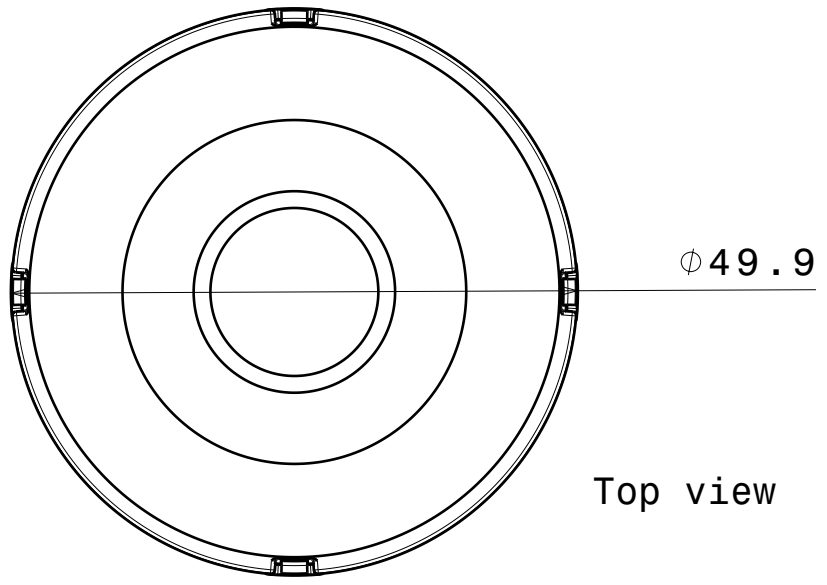


Bottom view

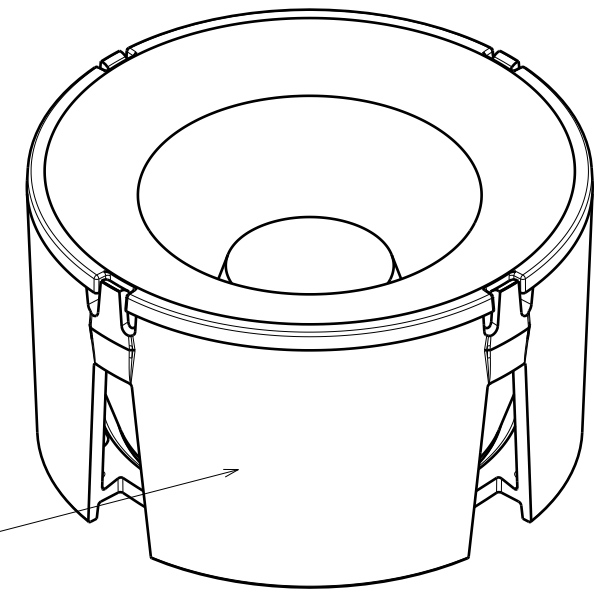


Front view



Top view

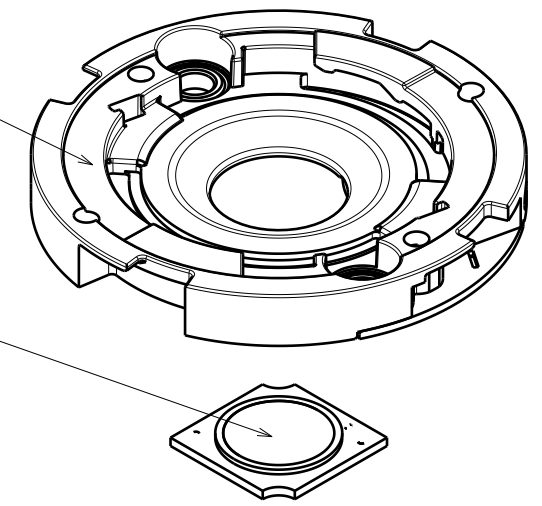
Example assembly:



CP17403_YASMEEN-50-WW-C

HEKLA socket

LED



Isometric view

CP17403_YASMEEN-50-WW-C

COMPONENTS

INDEX	PART	TYPE	MATERIAL	COLOR / COATING
1	C17397_YASMEEN-50-HLD-C	HOLDER	PC	black
2	C17237_Yasmeen-50-WW	LENS	PMMA	clear

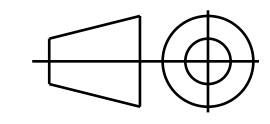
MECHANICAL DRAWING

PRODUCT **YASMEEN**

LEDiL®

Plastic moulding general tolerances according to DIN 16901-130 and applies if not otherwise shown in the drawing. Silicone moulding general tolerances according to ISO 3302-1 Class M3 and applies if not otherwise shown in the drawing.

FIRST ANGLE PROJECTION:



This drawing is the property of LEDiL Oy. It may not be copied or otherwise distributed without prior written permission from LEDiL Oy.

SCALE	3:2	WEIGHT	29.826 g	A3	SHEET 1/1
-------	-----	--------	----------	----	-----------

Notes

	PCB or heatsink level.
	LED location
	Ensure LED fitting from a product specific 3D model available from www.ledil.com
	For more details about installation please see LEDiL Installation Guide on www.ledil.com